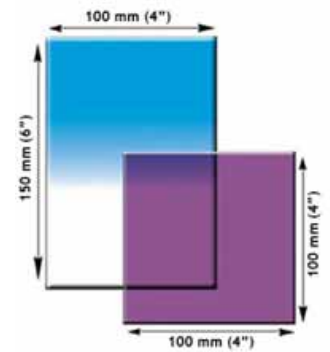
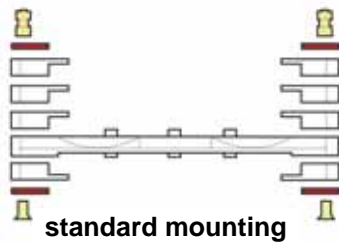


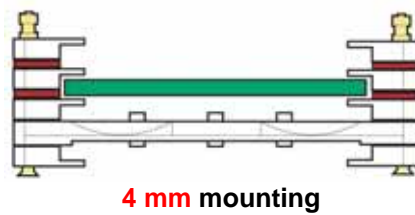
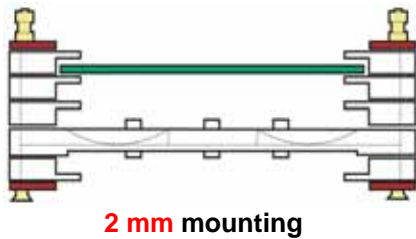
After many years of R&D, **COKIN** is proud to introduce its new **Z-PRO Filter-Holder** designed for semi-professional or professional camera models **VIDEO** (including the new popular HDV format).



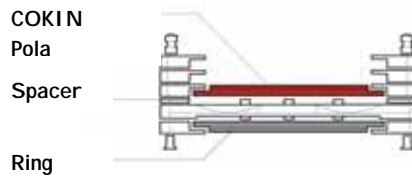
Totally Modular



The System is totally modular, the Z-PRO Filter-Holder being easily dismantled and then reconfigured. COKIN has integrated a new Spacer System (in red in the drawings below) which accepts filters in all popular dimensions 4”(100mm) filters at a thickness of **2mm** (Z-PRO Series)^① or at a **4mm** (for other filter brands)^②.



Pola System



The Filter-holder can fit COKIN POLA : Circular and Linear as well as the COKIN Yellow/Blue Varicolor.

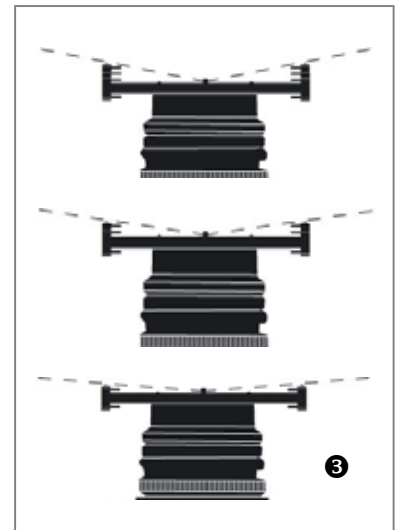
WIDE ANGLE recommended

For use with extra wide-angle lenses :

In order to accommodate extra wide-angle lenses, the Z-PRO filter-holder can be dismantled, allowing the removal of several filter slots. This procedure removes all unused slots from the field of view and protects against the risk of vignetting ③.

Totally reversible Holder :

There is another way to prevent all risk of vignetting. The Z-PRO series filter-holder is **fully reversible**, meaning that a filter can fit in the adaptor ring's slot and the adaptor ring can be placed in the first filter slot. Therefore the filter can be positioned very close to the lens and the edges of the holder are no longer an obstacle in the field of view ④.



The Z-PRO range

The Z-PRO range of filters is made of organic glass CR39 with a very high level of optical transmission. It includes over **90 different filters** designed to satisfy the needs of professional Photographers and Videographers – including **Correction/Conversion** filters, **Graduated** filters, **colour** filters, **Soft** filters, and **Neutral Density** filters - particularly useful with digital technology.

The Z-PRO range also includes a **storage wallet** for 5 filters

Z-PRO ADVANTAGES

- ⇒ **Compact** easy to carry.
- ⇒ **Vast choice**, across a very wide range of filters.
- ⇒ **Shock resistant**, stronger than mineral glass filters.
- ⇒ **Professional results** at an extremely reasonable price,
- ⇒ **Lightweight**, doesn't strain the motors of the autofocus lenses.

⑤



UNI VERSAL SYSTEM

COKIN Z-PRO System is totally compatible with the following 100mm (4") systems: **LEE FILTERS®**, **TIFFEN®** et **SCHNEIDER®**.

The **Z-PRO** filter-holder will fit a large variety of lenses thanks to a range of adaptor rings covering the popular diameters up to 96mm.



More information about COKIN products on :

www.cokin-pro-video.com